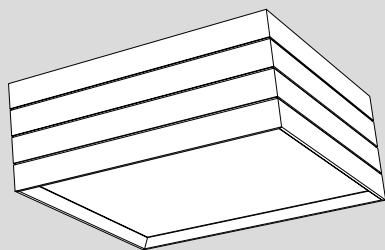
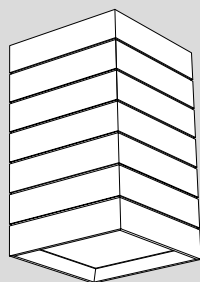
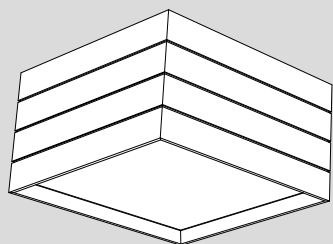


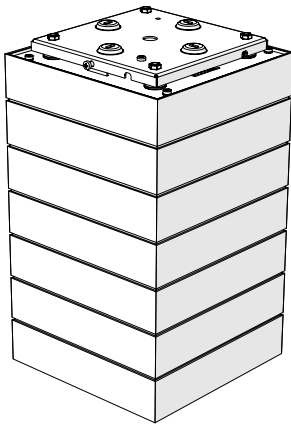
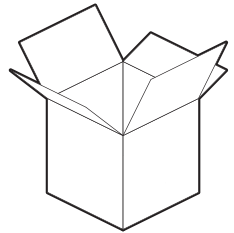
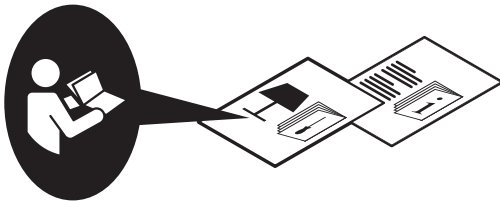
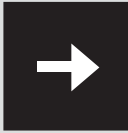
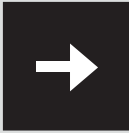
## Groupage

design  
E. Gismondi  
D. Moioli

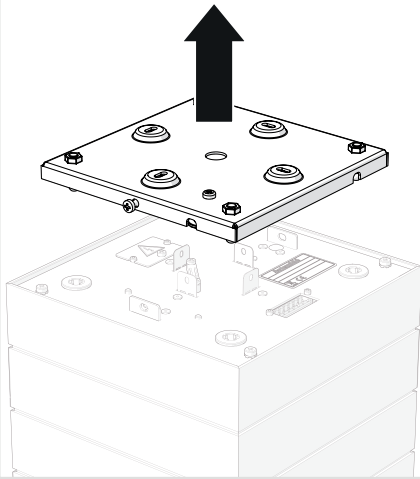




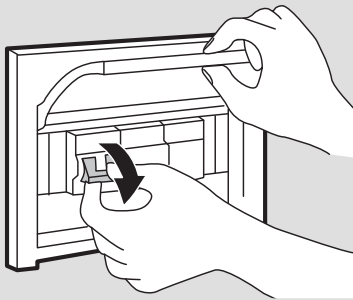
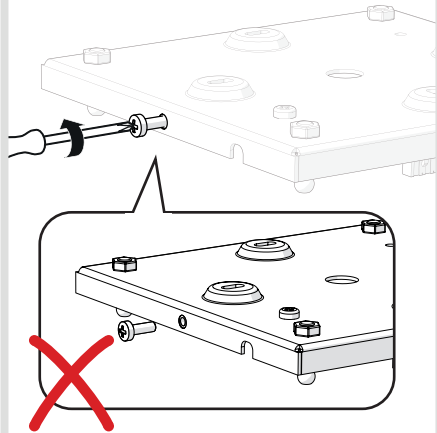
i



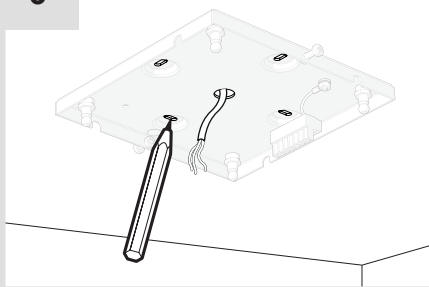
1



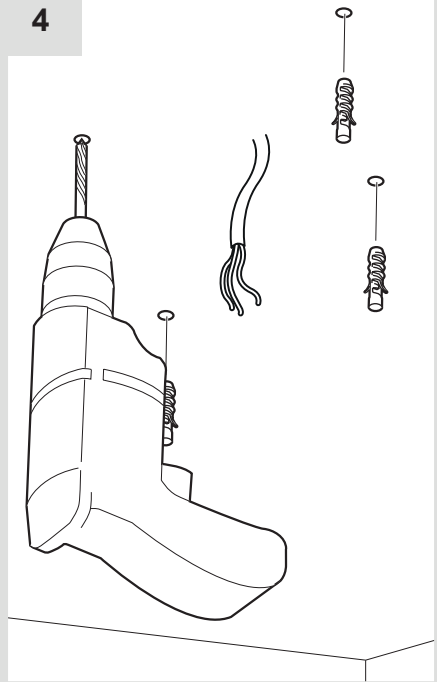
2



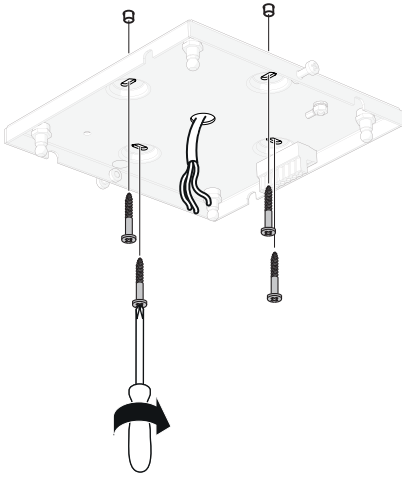
3



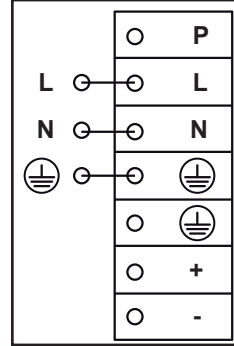
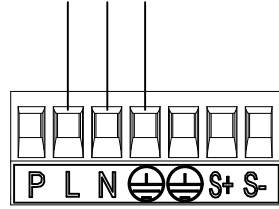
4



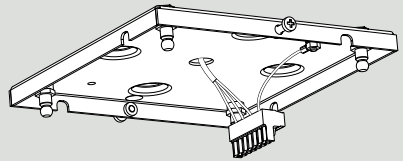
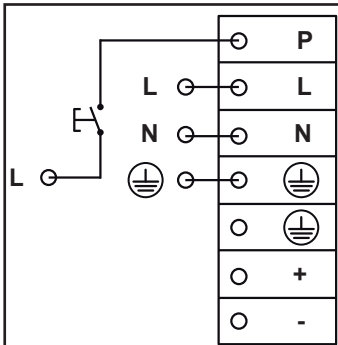
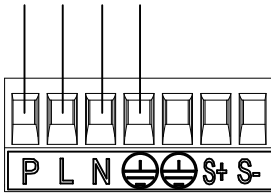
5

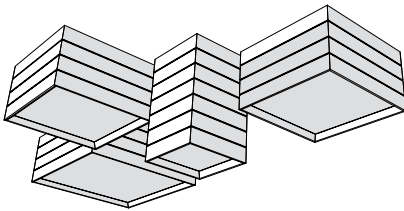
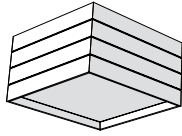


6

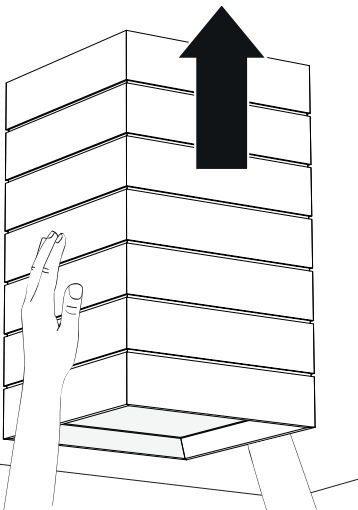
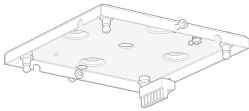


6

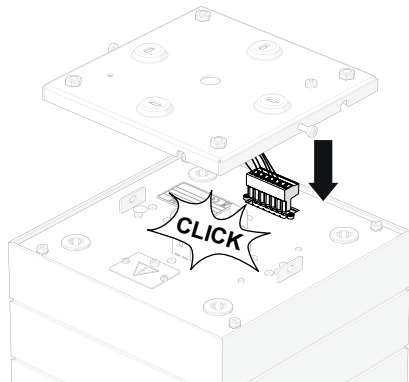




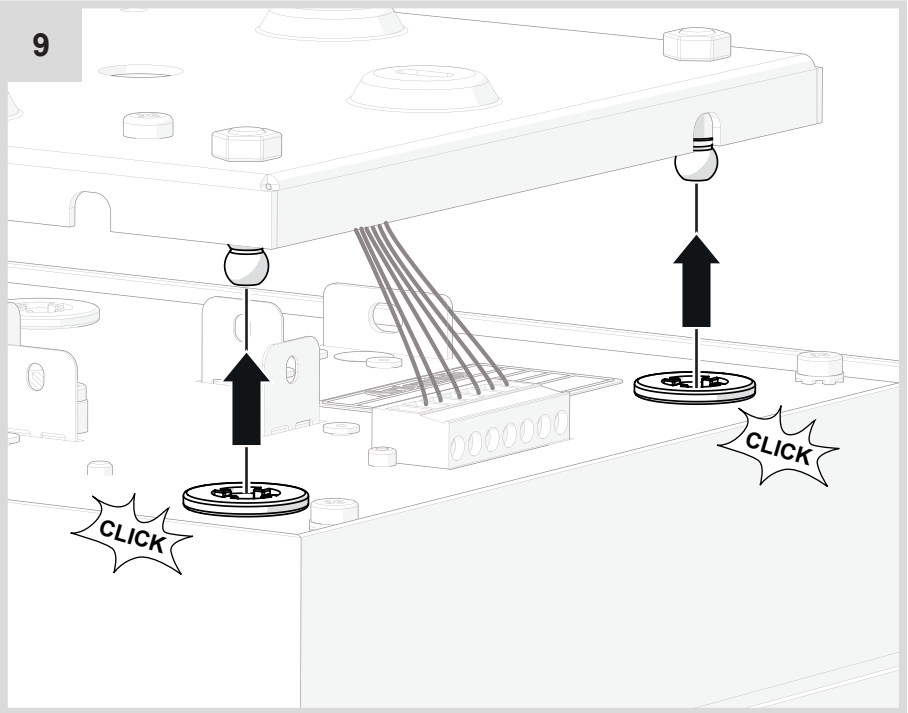
7



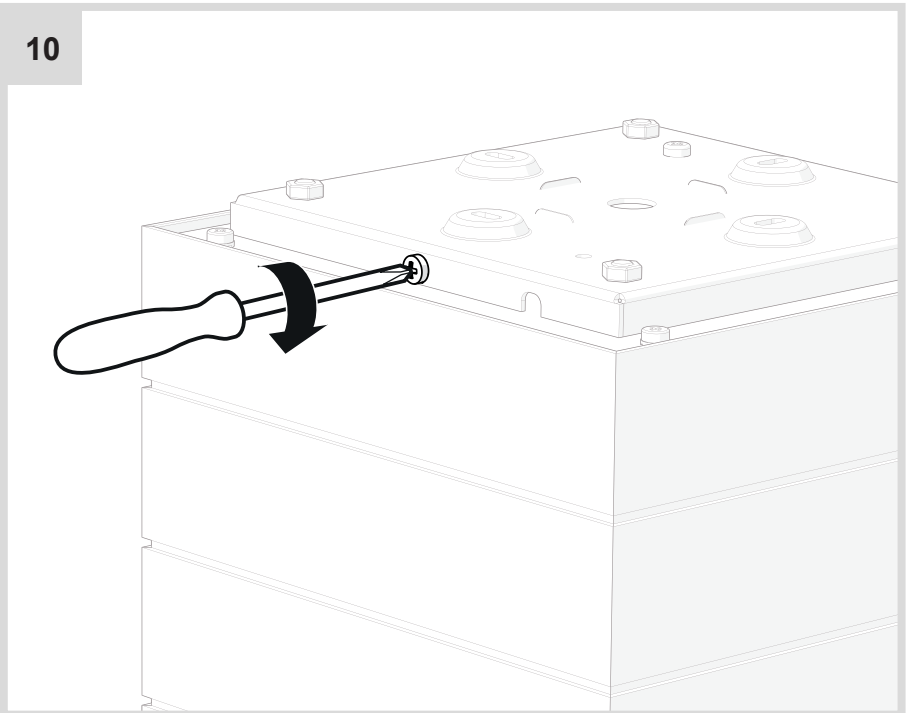
8

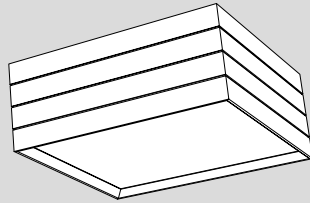
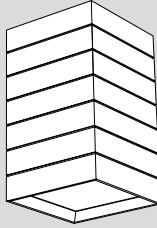
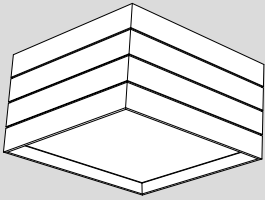


9

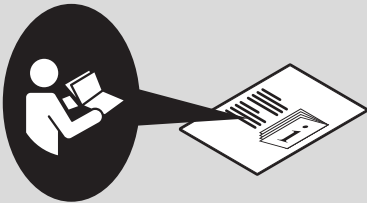


10

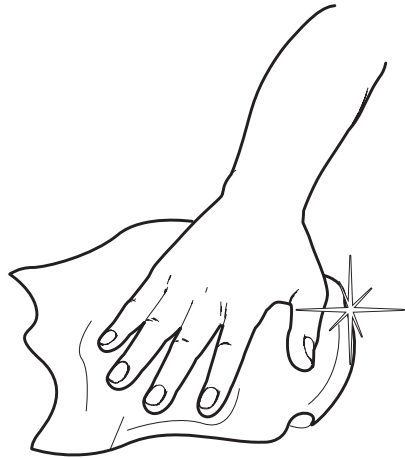




**i**



**1**



**Artemide®**



**Artemide**

via Bergamo, 18  
20010 Pregnana M.se (MI)  
ITALIA

tel. +39 02 935 181  
fax +39 02 935 90 254  
fax +39 02 935 90 496

[www.artemide.com](http://www.artemide.com)

VAT IT00846890150

cod. Y513000251A