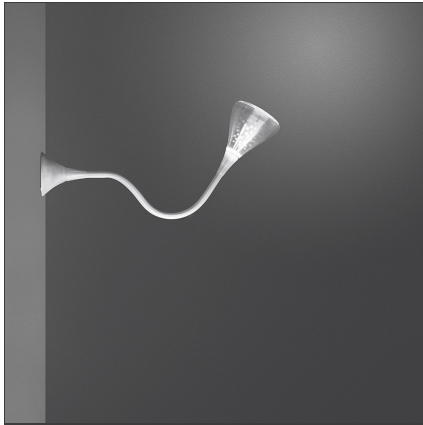






Pipe Wall/Ceiling LED 2700K



IP20    Dimmbar: 

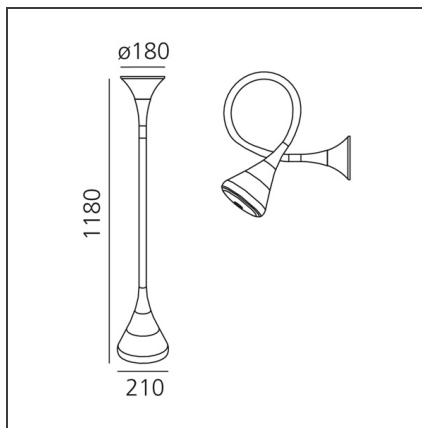
DESIGN

Herzog & De Meuron

BESCHREIBUNG

Wall/ceiling lamp with flexible painted steel structure, covered with a natural anti-yellowing silicone case; wall attachment and diffuser in transparent rubber-effect painted polycarbonate; mirror aluminium reflector with random perforations; painted steel bottom plate. The new internal diffuser is reinterpreting the old fluorescent lamp using a modern LED source, this guarantees the same optical performance with less power consumption and a better quality of light.

TECHNISCHE ZEICHNUNGEN



FUNKTIONEN

Artikelnummer:	0671W10A	Material:	Polycarbonate, steel, silicon
Farbe:	transparent	Serie:	Design
Installation:	Wandleuchte, Deckenleuchte		
Anwendungsbereich:	Innenbeleuchtung		

DIMENSION

Höhe:	cm 118	Widerstand:	IK6
Durchmesser Fuß:	cm 18	Glühdrahttest:	960

INKLUSIVE LEUCHTMITTEL

Kategorie:	LED	Farbtemperatur(K):	2700K
Anzahl:	1	Color Tolerance:	MacAdam 2SDCM
Watt:	24.2W	CRI:	90
Lichtstrom (lm):	2607lm	Efficacy:	108lm/W
Typ:	0	Service Life:	50000-L70
Class:	A		

LUMINAIRE

Power Supply:	Elektronisch Integriert	Lichtstrom (lm):	1763lm
Watt:	27W	CCT:	2700K
Spannung (V):	220-240V	Efficiency:	67%
		Efficacy:	65.30lm/W
		CRI:	90
		Dimmable Typology:	Push