

Demetra Micro Wall Grey 2700K


 IP20    CE

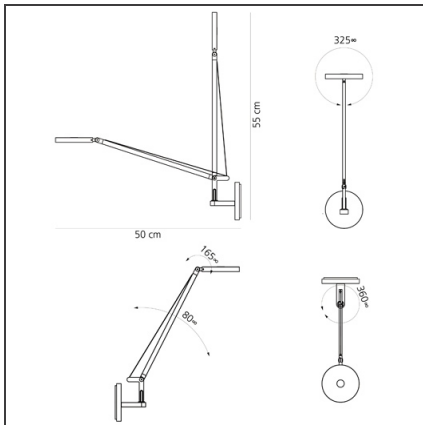
DESIGN

Naoto Fukasawa

BESCHREIBUNG

Demetra micro, in the table and wall version with arm, offers the same freedom of the traditional version, i.e. utmost flexibility in directing light across space. While its power and flow are just slightly reduced compared to the classical version, it has all the same pluses in terms of operation and lighting performance. warm light tone very high Cri 90 light quality maximum performance Dimmable with microswitch located on the appliance's head, it emits warm light with a very high colour yield (Cri 90) Its dimension is therefore minimized to fit into the smallest spaces and to expand the range of potential applications of the entire Demetra family, ideal for work and hospitality locations, as well as for home use.

TECHNISCHE ZEICHNUNGEN



FUNKTIONEN

Artikelnummer:	1748W10A	Material:	Aluminium, technopolymer
Farbe:	Anthrazitgrau	Serie:	Design
Installation:	Wandleuchte	Lichtverteilung:	Direct and adjustable light
Anwendungsbereich:	Innenbeleuchtung		

DIMENSION

Länge:	cm 8	Max Erweiterungsweite:	cm 51
Breite:	cm 10	Glühdrahttest:	750
Höhe:	cm 18		
Durchmesser Fuß:	cm 11		
Max Erweiterungslänge:	cm 55		

INKLUSIVE LEUCHTMITTEL

Kategorie:	LED	Farbtemperatur(K):	2700K
Anzahl:	1	Color Tolerance:	MacAdam 2SDCM
Watt:	6W	CRI:	90
Lichtstrom (lm):	730lm		
Typ:	0		
Class:	A		

LUMINAIRE

Watt:	6W	Lichtstrom (lm):	241lm
Spannung (V):	100-240V	CCT:	2700K
		Efficiency:	49%
		Efficacy:	40.17lm/W
		CRI:	90
		Dimmer Typology:	Microswitch Dimmer