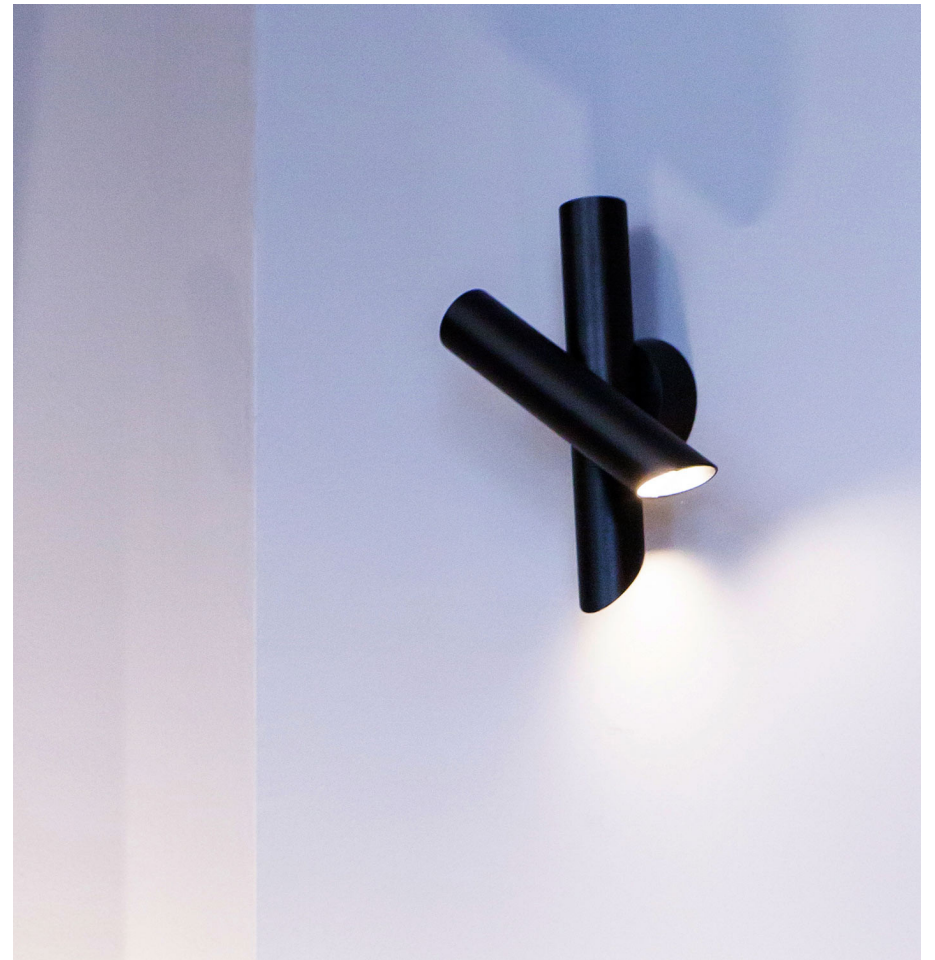


TUBES 2 WALL

Charles Kalpakian

Family of pendant, wall and ceiling lamps, with elements in extruded aluminium. Opal polycarbonate diffusers, for a warm and ambient lighting. Adjustable elements in the wall versions. Available also with dimmer push on the body of the lamp. Ceiling version with a 340° rotation for the ceiling fixed element while the other element is adjustable by 90°.



PUSH

LEUCHTMITTEL

Leuchtmittel	LED board
Leistung	2x5,5W
Ausstrahlung	orientable, spot
Switching	push on board
Spannung	230V
Farbtemperatur	2700K
Lichtstrom	2x 135lm (luminous output)
Farbwiedergabe	80
Materialien	aluminium
Notes	orientable on three axes, also available in 120V
Net lamp weight	0,45 Kg

Codes

- TTB LWC 33
- TTB LWW 33
- TTB LNN 33

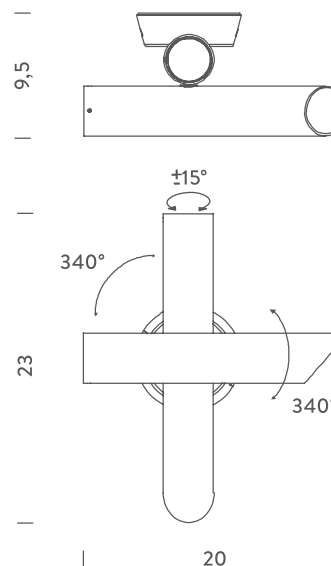
Structure

- white / copper
- white/white
- black/black

PACKAGE

Package 01 14x31x11 cm / Gross weight: 0,55 Kg

Certificazioni



TRIAC

LEUCHTMITTEL

Leuchtmittel	LED board
Leistung	2x5,5W
Ausstrahlung	orientable, spot
Switching	dimmbare TRIAC
Spannung	230V
Farbtemperatur	2700K
Lichtstrom	2x 135lm (luminous output)
Farbwiedergabe	80
Materialien	aluminium
Notes	orientable on three axes, also available in 120V
Net lamp weight	0,45 Kg

Codes

TTB LWC 32
TTB LWW 32
TTB LNN 32

Structure

white / copper
white/white
black/black

PACKAGE

Package 01 14x31x11 cm / Gross weight: 0,55 Kg

Certificazioni

