

# FLOS

## PIANI BIG

<b>Mounting</b>	Table
<b>Lamps description</b>	28 LED 2700K 420lm CRI90 - 6W
<b>Environment</b>	Indoor
<b>Finish</b>	Stone, Wood
<b>Technical description</b>	Table lamp with direct light. The shelf, stem and head are in American Oak or in basaltina stone. The diffuser is in double satinized methacrylate with silk-screen printing on the inside. The power cable is 2.5 metres long. The power supply is on a plug with interchangeable sockets.

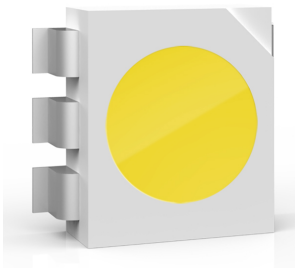
## ELECTRICAL

<b>Emergency</b>	Without
------------------	---------

## PHYSICAL

<b>Supply</b>	Plug with interchangeable sockets
<b>Cord length (mm)</b>	2500
<b>Construction material</b>	American Oak, Basaltina stone, Methacrylate
<b>Weight (kg)</b>	3,4 (wood) 9,4 (stone)

## Piani Big . Lamps



**LED 2700K 420lm  
CRI90 - 6W**

**Lamp wattage:**  
6 W

**Lamp category:**  
LED

**Socket:**  
Special base

**Color temperature (K):**  
2700 °K



**Lamp type:**  
LED



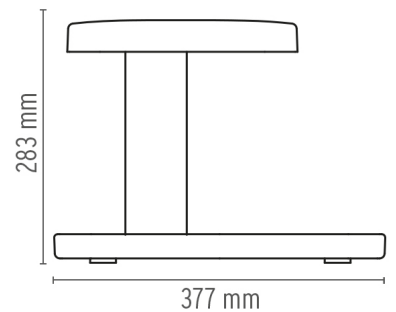
## Piani Big

designed by R. & E. Bouroullec

Table lamp with direct light.

 F5835068	Wood
 F5835087	Stone

## DIMENSIONS



## CERTIFICATIONS

