

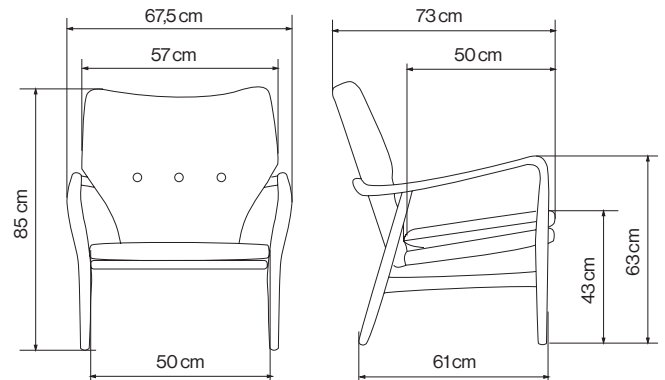
pols potten



Chair Peggy

Fact Sheet

The Peggy Chair joined the collection in 2013. Her unmistakable retro shape promotes the iconic 50s style we all know and love – broad shoulders that follow a slimming silhouette down to the seat, a wide seat and well-cushioned body, and clean linear armrests. Peggy has all the curves and edges one could ever need. She's available in a variety of rich fabrics and is built for residential and commercial environments. Qualified for contract use.



Design by	pols potten studio 2013
About the designer	This item is designed in our very own pols potten studio
Category	Furniture - Chairs
Environment	Indoor
Preassembled	Yes
Material & Finish	Frame: The frame of the chair is made of stained ashwood (FSC 100% certified) standard available in two colours Cushioning: The cushioning used inside is made of high resiliency (HR) foam, back foam density is 24kg/m ³ , seat foam density is 30kgs/m ³ + 24kgs/m ³ (20%)
Gliders	Plastic gliders are mounted
Upholstery	Chair Peggy is standard available in the following upholstery: Rough: 75% polyester / 25% cotton / 60.000 martindale / color fastness level 4 Smooth Bermuda: 84% polyester / 16% acrylic / >100.000 martindale / color fastness level 5
Cleaning & Care	Care and maintenance instructions can be downloaded on the product page of this item at: webshop.polspotten.com or contact your account manager for more specific cleaning & care information.
Spare parts	The spare parts below are available upon order - Plastic gliders - Seat cushion - Decorative cushion
Packaging	Packed in one brown carton box 5-ply Size: 68 x 71 x 88 cm Weight: 13 kg
Downloads	3D files, mood images and packshots are available at the product page of the item at polspotten.nl

Made-to-order

Non-standard fabrics or colours are made-to-order against a minimum order quantity of 20 pcs. Upholstery supplied by the customer must always be tested by us in advance to see if it can be applied to our furniture. Please contact your account manager for a specific custom made request.

Special options

The special options below are available upon request against a minimum order quantity. Please contact your account manager for a specific custom made request
- fire retardant high resiliency (CMHR) foam

Test & Certifications

Smooth Bermuda fabric: Fire retardant BS5952 Source 0 cigarette proof

Foam: Fire retardant BS5952 Source 0+1 cigarette & match proof

Textile use for customized upholstery

2 meters with a fabric width of 1.4 meters

Upholstery		Frame	Upholstery		Frame
Bermuda	Rough	Ashwood	Bermuda	Ashwood	
555-020-001	550-020-065		555-020-009		
Ochre	Grey		Black		
					
555-020-002	550-020-066	Ashwood			
Rust	Ecru				
					