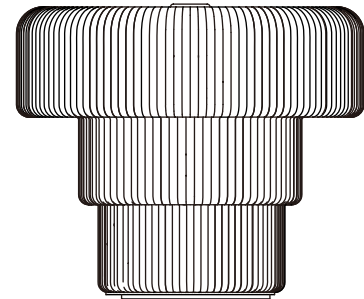


# Ripple Portable Lamp

Assembly manual



Space to feel comfortably you

  
FERM  
LIVING

## General Instructions

Please read before installation

### Warning:

The safety of this product can only be guaranteed if the following instructions are observed during both installation and use. Please retain these instructions safely after installation.

Please observe the following guidelines:

- Ensure that the power supply has been switched off prior to installation or removal of the product.
- Never undertake an electrical installation without the proper knowledge or training. If not familiar with electrical wiring, contact a qualified electrician.
- The product may in no way be modified or tampered with. Any modification may compromise safety and make the product itself dangerous to use. FERM LIVING does not accept any responsibility for products that have been modified.
- The light source contained in this luminaire shall only be replaced by the manufacturer or his service agent or a similar qualified person.
- Please charge the battery before initial use.

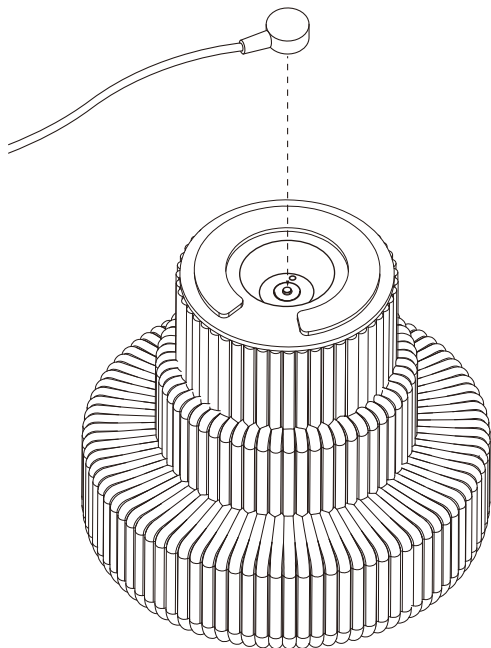
Cleaning instructions:

- Use only a soft cloth to clean the product. Dampen the cloth with water and soap or a mild cleanser if needed.

More information:

To access further information such as product overview and material descriptions, please visit our website at [www.fermliving.com](http://www.fermliving.com). If you have any questions or comments, please do not hesitate to contact us at [info@fermliving.com](mailto:info@fermliving.com).

# 02



## Technical Specifications

Ripple Portable Lamp

**Wattage:** 1W  
**Voltage:** 5V DC  
**Dimming:** 0% -10% -50%-100% 4 steps click dimming

**LED light:**  
**CCT:** 2400K  
**CRI:** >90  
**Lumen:** 84LM

**Battery:**  
**Capacity:** 2200mAh  
**Charging:** 4-5 hours  
**Discharging:** 8 hours max power, 16h 50%, 80h 15%  
**Battery:** 1 Pack  
**Battery weight:** 36g  
**Battery type:** Lithium-Iron Battery 18500  
**Power:** 8,14WH  
**Life:** 80% Capacity after 500 times charging

**Cable & Charger requirements:**  
**USB Type:** 1m length , Magnetic Pogo-Pin charging, type C on the charger end (included)

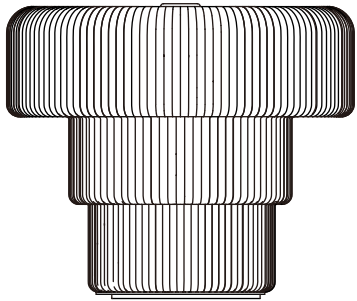
**Recommended charger:** 5V DC/1A or 5V 2A, (NOT INCLUDED).

**Light source:** Non removable dimmable LED

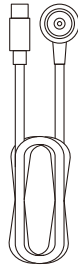
**Certification:** ETL, CE, CB, RoHs, IP44

# Box Content

01



1x



1x

